

S- 35
TRIPLEX

S.C.C.R. 5000A

SUNBELT™
POWER CONTROLS
1625 Wallace Dr, Ste 100
Carrollton, Texas 75006
(972) 620-2950
info@sunbeltpowercontrols.com
sunbeltpowercontrols.com

DATE 11/15/07

HP _____

DRAWING # S333HWSFHP

VOLT _____

DRAWN BY RAK

PHASE 3

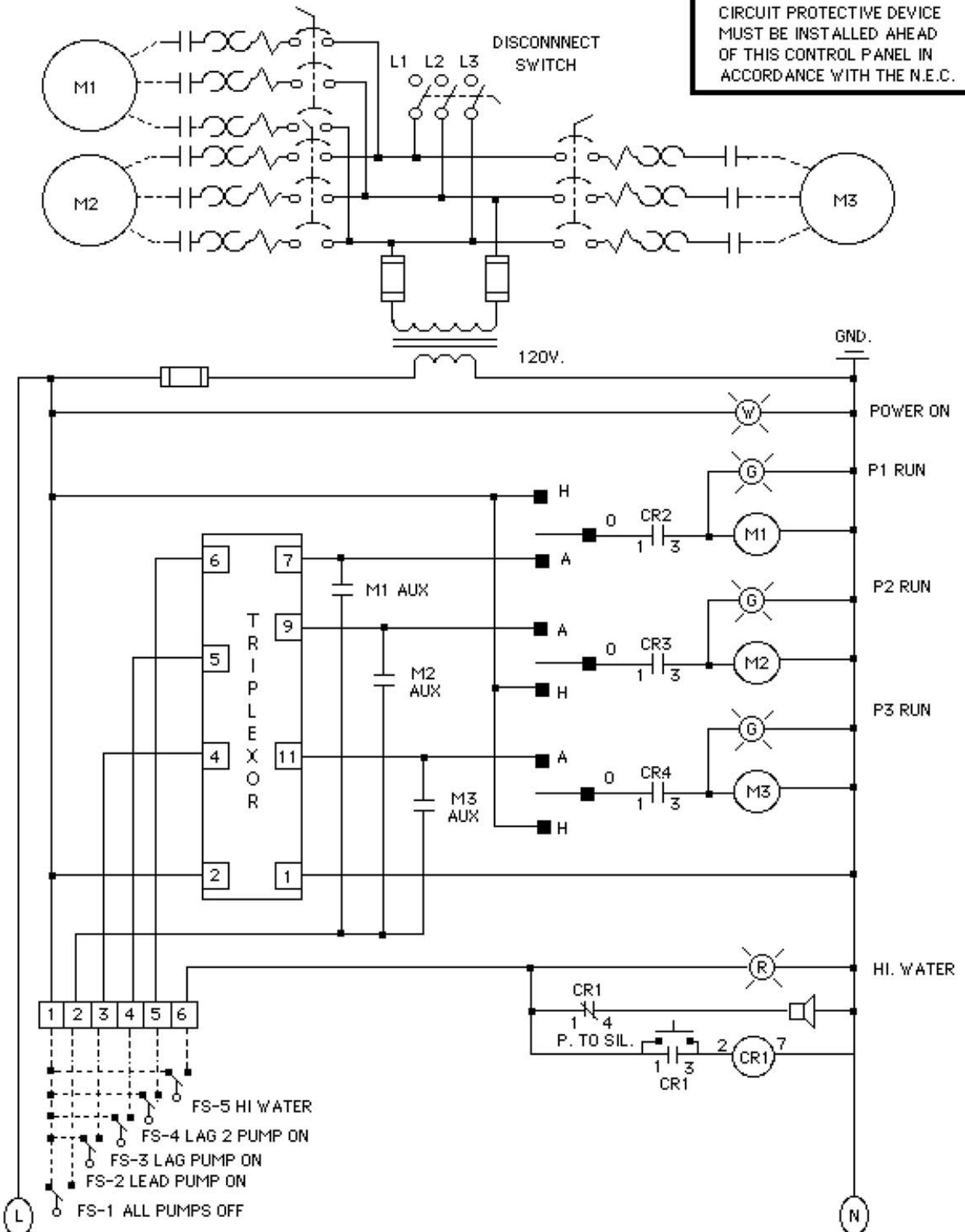
SERIAL # _____

FLA _____

**NOTE (USE COPPER, 60 C RATED WIRE FOR LESS THAN 100A
USE COPPER, 75 C RATED WIRE FOR 100A OR MORE)**

CAUTION:

AN N.E.C. APPROVED BRANCH
CIRCUIT PROTECTIVE DEVICE
MUST BE INSTALLED AHEAD
OF THIS CONTROL PANEL IN
ACCORDANCE WITH THE N.E.C.



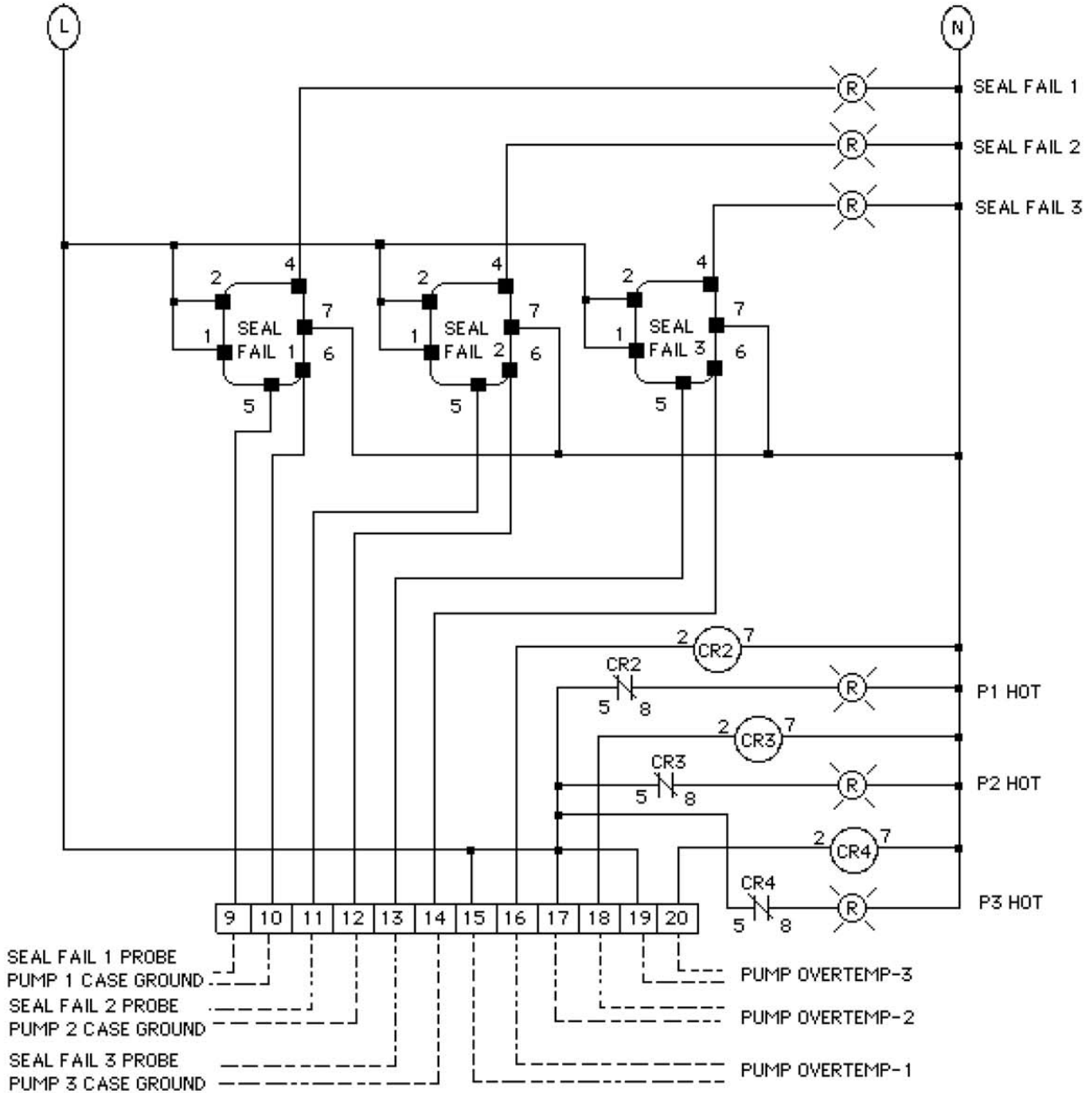
S- 35
TRIPLEX

S.C.C.R 5000A

SUNBELT™
POWER CONTROLS
1625 Wallace Dr, Ste 100
Carrollton, Texas 75006
(972) 620-2950
info@sunbeltpowercontrols.com
sunbeltpowercontrols.com

DATE 11/15/07
DRAWING# S333HWSFHP
DRAWN BY RAK
SERIAL #

HP _____
VOLT _____
PHASE 3
FLA _____



NOTE: IF PUMP OVERTEMP LEADS ARE NOT USED THEN JUMPER TERMINALS 15 & 16, 17 & 18 19 & 20 FOR PROPER OPERATION.