

**S-25 DUPLEX**

S.C.C.R. 5000A

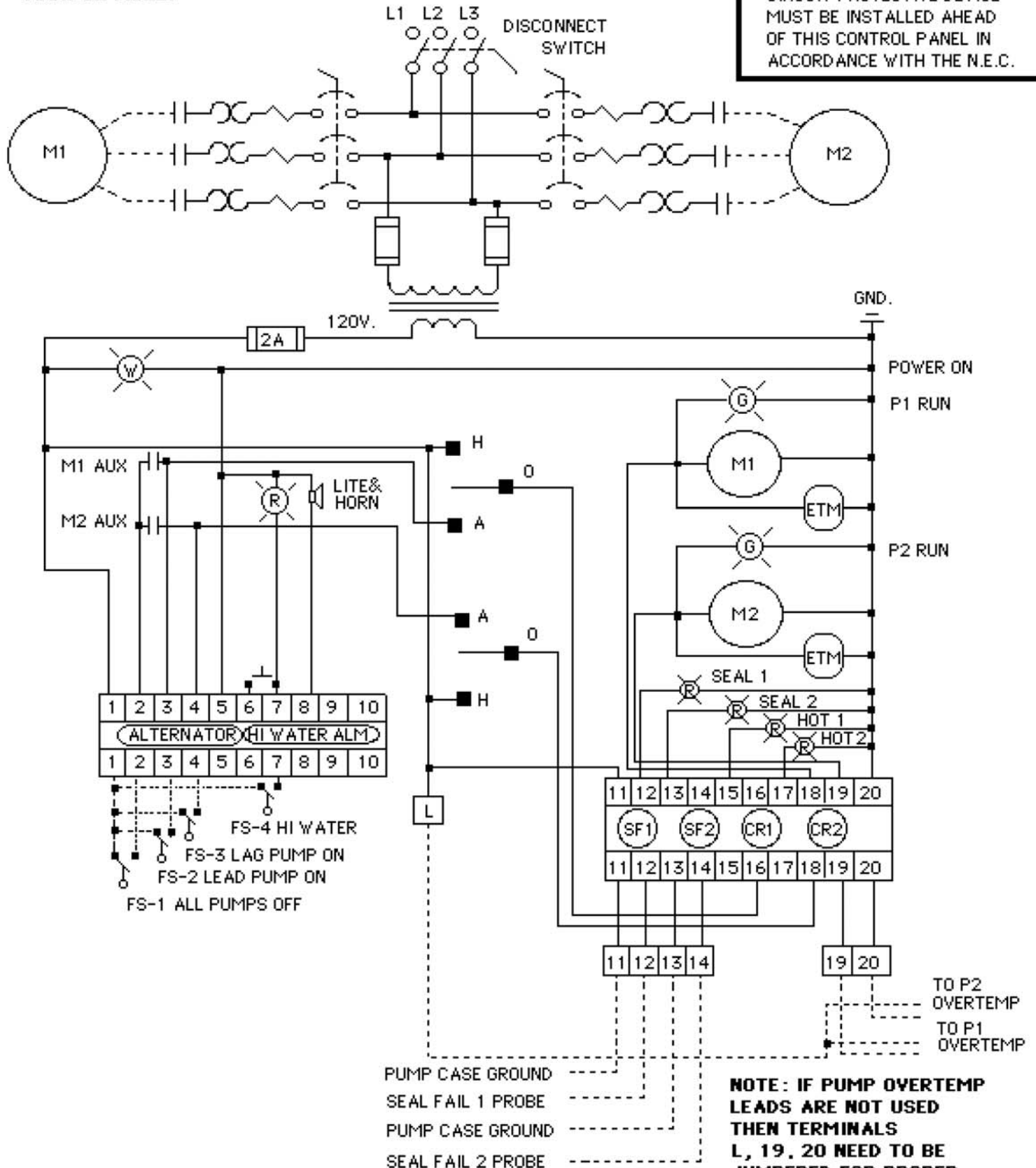
**SUNBELT™  
POWER CONTROLS**

1625 Wallace Dr, Ste 110  
Carrollton, Texas 75006  
(972) 620-2950  
info@sunbeltpowercontrols.com  
sunbeltpowercontrols.com

DATE 11/8/07 HP. \_\_\_\_\_  
DRAWING # S233HWSFHPET VOLT. \_\_\_\_\_  
DRAWN BY RAK PHASE 3  
SERIAL # \_\_\_\_\_ FLA \_\_\_\_\_

**NOTE: USE COPPER, 60 C RATED WIRE FOR LESS THAN 100A. USE COPPER, 75 C RATED WIRE FOR 100A OR MORE.**

**CAUTION:**  
AN N.E.C. APPROVED BRANCH CIRCUIT PROTECTIVE DEVICE MUST BE INSTALLED AHEAD OF THIS CONTROL PANEL IN ACCORDANCE WITH THE N.E.C.



**NOTE: IF PUMP OVERTEMP LEADS ARE NOT USED THEN TERMINALS L, 19, 20 NEED TO BE JUMPERED FOR PROPER OPERATION.**