

S-25 DUPLEX

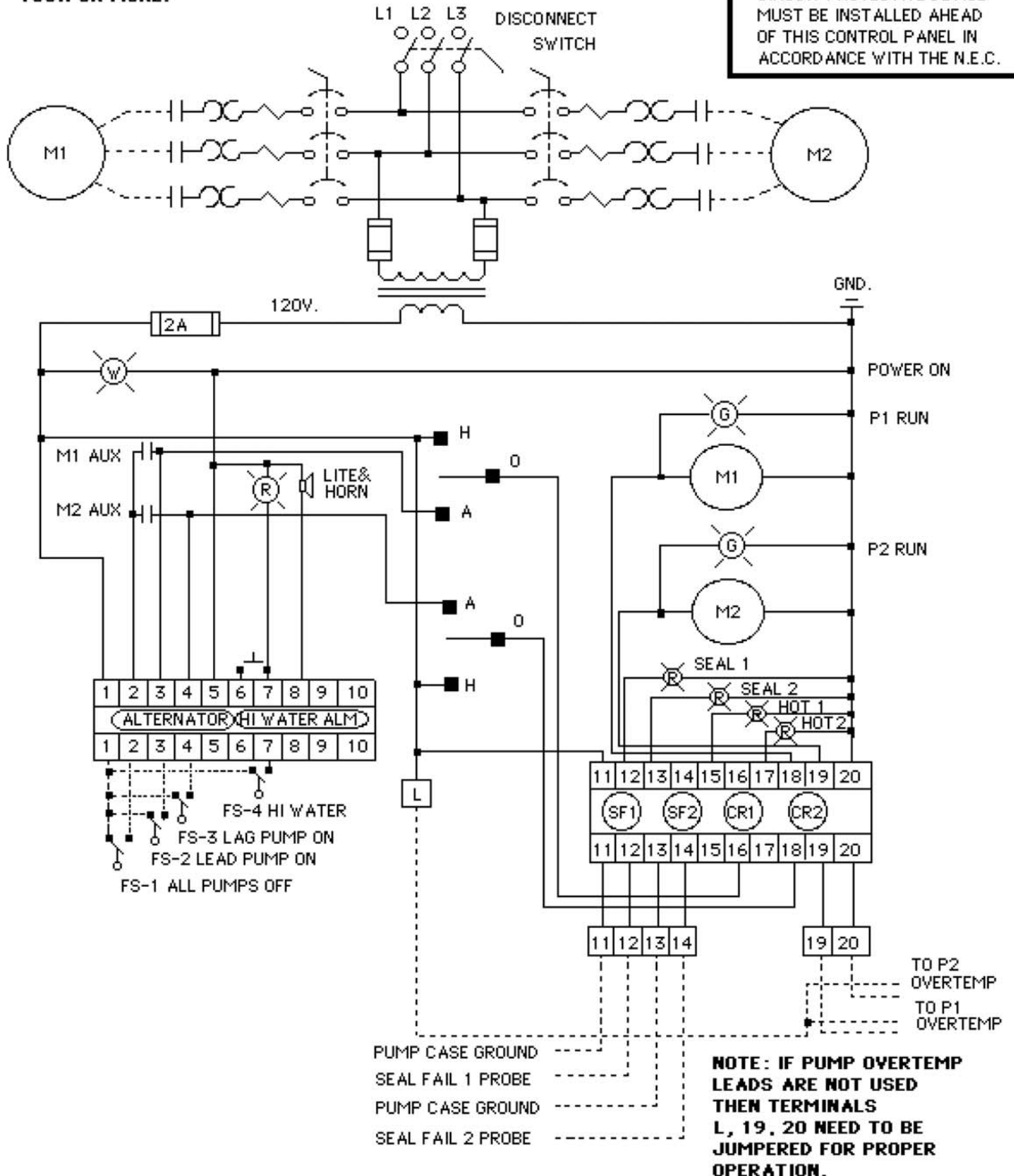
S.C.C.R. 5000A

SUNBELT™
POWER CONTROLS
 1625 Wallace Dr, Ste 110
 Carrollton, Texas 75006
 (972) 620-2950
 info@sunbeltpowercontrols.com
 sunbeltpowercontrols.com

DATE 11/8/07 HP _____
 DRAWING # S233HWSFHP VOLT _____
 DRAWN BY RAK PHASE 3
 SERIAL # _____ FLA _____

NOTE: USE COPPER, 60 C RATED WIRE FOR LESS THAN 100A. USE COPPER, 75 C RATED WIRE FOR 100A OR MORE.

CAUTION:
 AN N.E.C. APPROVED BRANCH CIRCUIT PROTECTIVE DEVICE MUST BE INSTALLED AHEAD OF THIS CONTROL PANEL IN ACCORDANCE WITH THE N.E.C.



PUMP CASE GROUND
 SEAL FAIL 1 PROBE
 PUMP CASE GROUND
 SEAL FAIL 2 PROBE

NOTE: IF PUMP OVERTEMP LEADS ARE NOT USED THEN TERMINALS L, 19, 20 NEED TO BE JUMPED FOR PROPER OPERATION.