

**S-25 DUPLEX**

S.C.C.R. 5000A

**SUNBELT™**  
**POWER CONTROLS**  
 1625 Wallace Dr, Ste 110  
 Carrollton, Texas 75006  
 (972) 620-2950  
 info@sunbeltpowercontrols.com  
 sunbeltpowercontrols.com

DATE 11/1/07

HP \_\_\_\_\_

DRAWING # S233HWSF

VOLT \_\_\_\_\_

DRAWN BY RAK

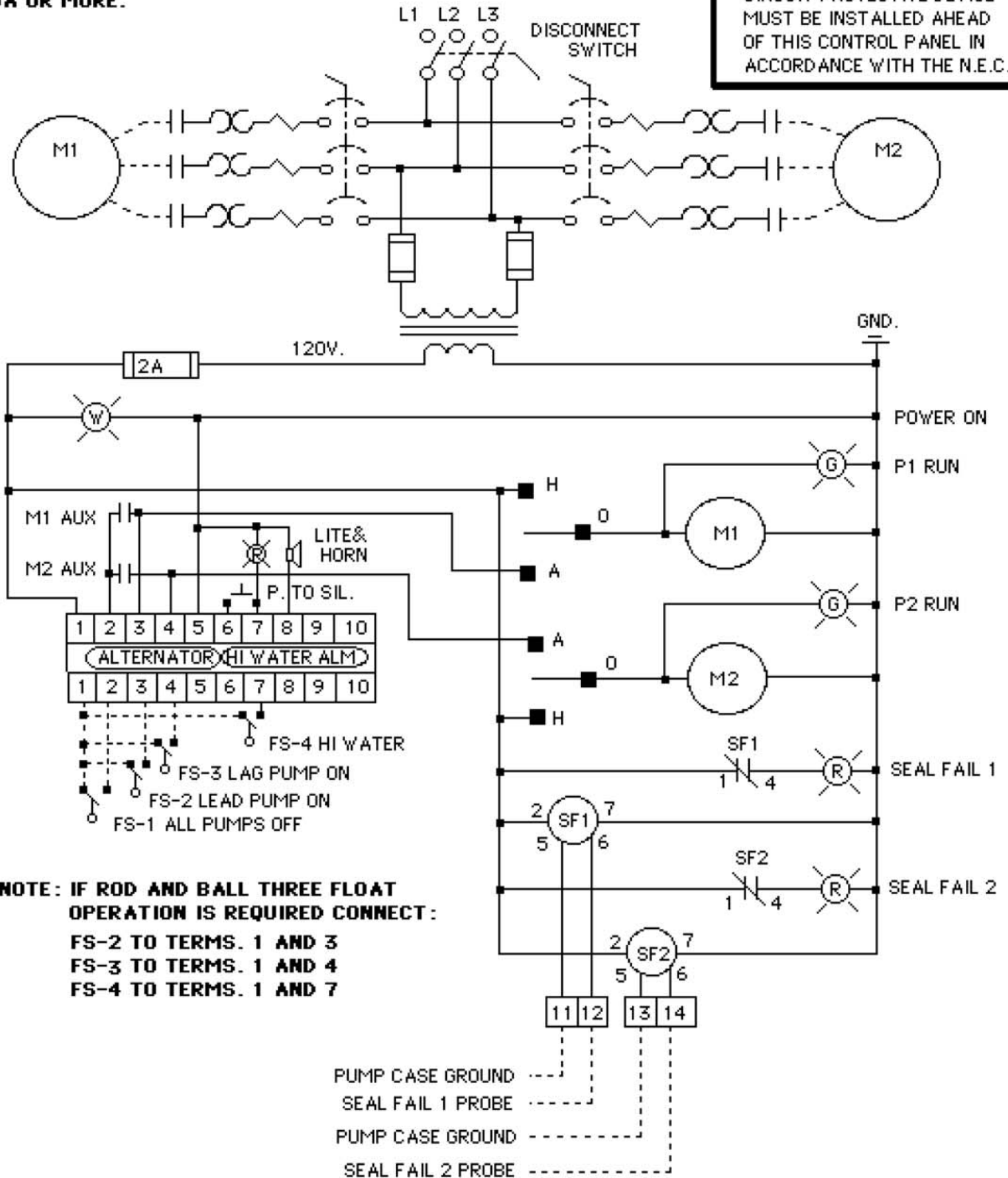
PHASE 3

SERIAL # \_\_\_\_\_

FLA \_\_\_\_\_

**NOTE: USE COPPER, 60 C RATED WIRE FOR LESS THAN 100A. USE COPPER, 75 C RATED WIRE FOR 100A OR MORE.**

**CAUTION:**  
 AN N.E.C. APPROVED BRANCH CIRCUIT PROTECTIVE DEVICE MUST BE INSTALLED AHEAD OF THIS CONTROL PANEL IN ACCORDANCE WITH THE N.E.C.



**NOTE: IF ROD AND BALL THREE FLOAT OPERATION IS REQUIRED CONNECT:**  
 FS-2 TO TERMS. 1 AND 3  
 FS-3 TO TERMS. 1 AND 4  
 FS-4 TO TERMS. 1 AND 7

PUMP CASE GROUND .....  
 SEAL FAIL 1 PROBE .....  
 PUMP CASE GROUND .....  
 SEAL FAIL 2 PROBE .....