

**S-25 DUPLEX**

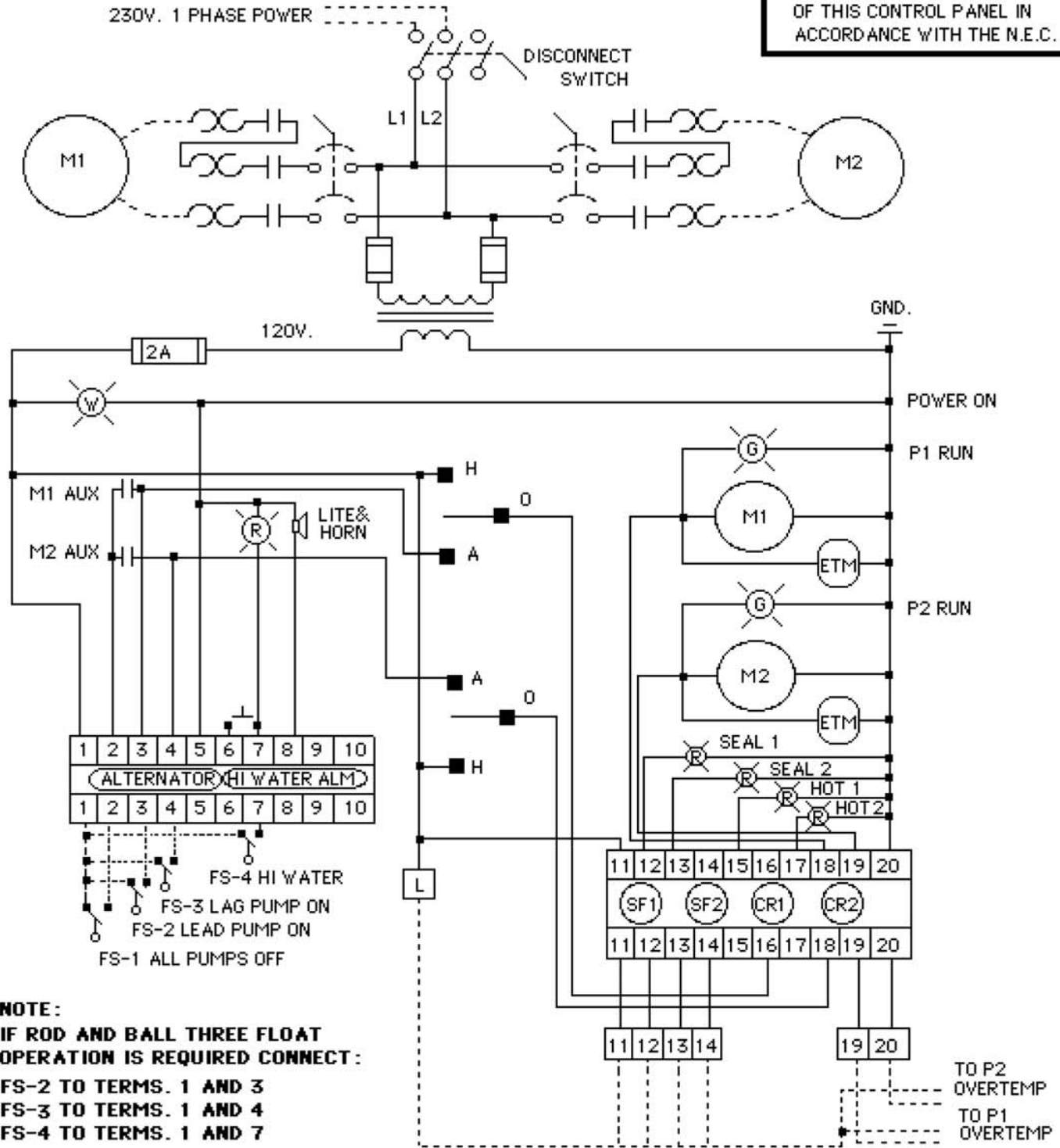
S.C.C.R. 5000A

**SUNBELT™**  
**POWER CONTROLS**  
 1625 Wallace Dr, Ste 110  
 Carrollton, Texas 75006  
 (972) 620-2950  
 info@sunbeltpowercontrols.com  
 sunbeltpowercontrols.com

DATE 12/13/07 HP             
 DRAWING # S2132HWSFHPET VOLT 230  
 DRAWN BY RAK PHASE 1  
 SERIAL #            FLA           

**NOTE: USE COPPER, 60 C RATED WIRE FOR LESS THAN 100A. USE COPPER, 75 C RATED WIRE FOR 100A OR MORE.**

**CAUTION:**  
 AN N.E.C. APPROVED BRANCH CIRCUIT PROTECTIVE DEVICE MUST BE INSTALLED AHEAD OF THIS CONTROL PANEL IN ACCORDANCE WITH THE N.E.C.



**NOTE:**  
 IF ROD AND BALL THREE FLOAT OPERATION IS REQUIRED CONNECT:  
 FS-2 TO TERMS. 1 AND 3  
 FS-3 TO TERMS. 1 AND 4  
 FS-4 TO TERMS. 1 AND 7

PUMP CASE GROUND  
 SEAL FAIL 1 PROBE  
 PUMP CASE GROUND  
 SEAL FAIL 2 PROBE

**NOTE: IF PUMP OVERTEMP LEADS ARE NOT USED THEN TERMINALS L, 19, 20 NEED TO BE JUMPED FOR PROPER OPERATION.**