

S-25 DUPLEX

S.C.C.R. 5000A



1625 Wallace Dr, Ste 110
Carrollton, Texas 75006
(972) 620-2950
info@sunbeltpowercontrols.com
sunbeltpowercontrols.com

DATE 12/12/07

DRAWING # S2132HW

DRAWN BY RAK

SERIAL # _____

HP. _____

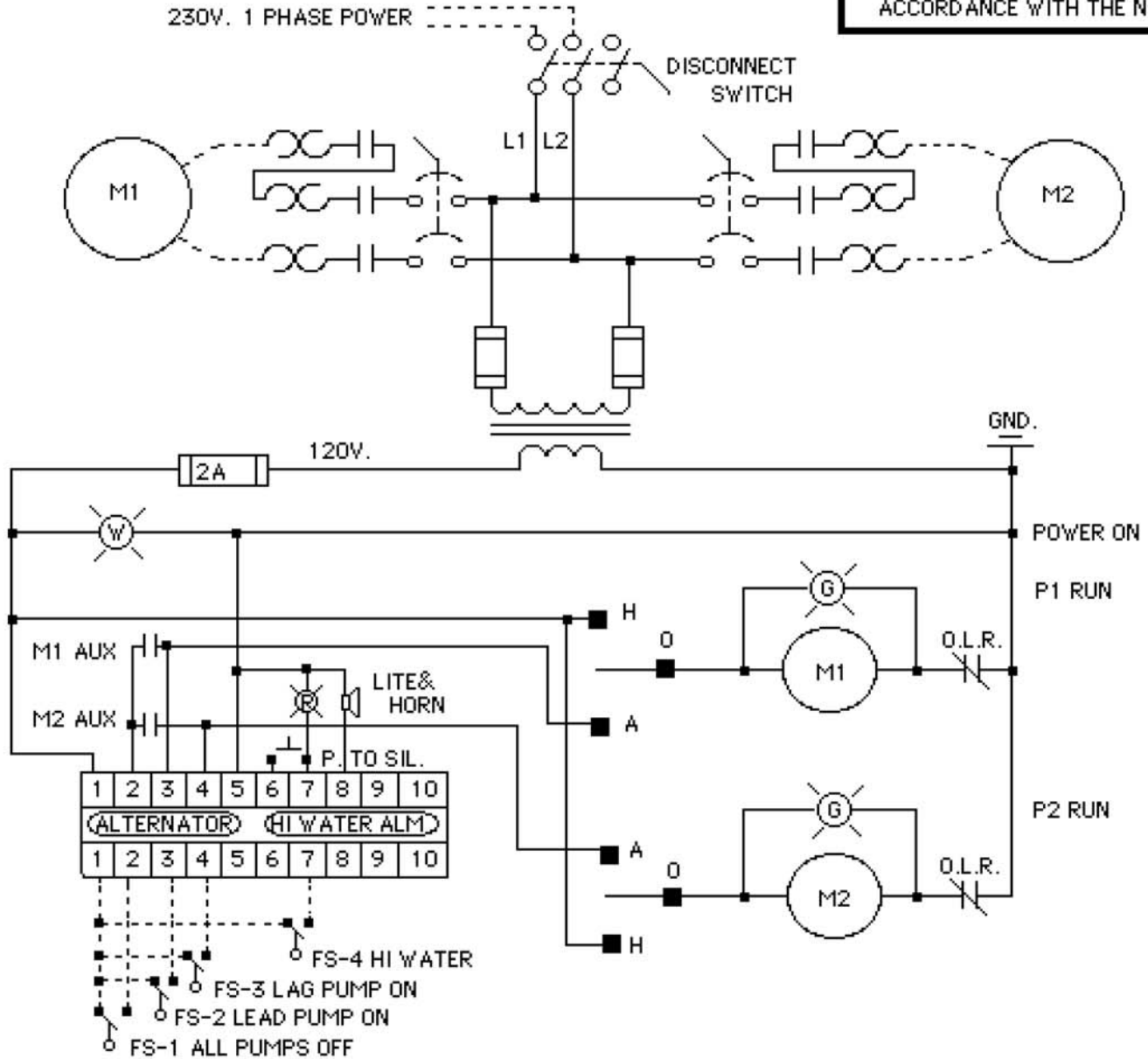
VOLT. 230

PHASE 1

FLA _____

NOTE: USE COPPER, 60 C RATED WIRE FOR LESS THAN 100A. USE COPPER, 75 C RATED WIRE FOR 100A OR MORE.

CAUTION:
AN N.E.C. APPROVED BRANCH CIRCUIT PROTECTIVE DEVICE MUST BE INSTALLED AHEAD OF THIS CONTROL PANEL IN ACCORDANCE WITH THE N.E.C.



NOTE: IF ROD AND BALL THREE FLOAT OPERATION IS REQUIRED CONNECT:
FS-2 TO TERMS. 1 AND 3
FS-3 TO TERMS. 1 AND 4
FS-4 TO TERMS. 1 AND 7