

S- 25
**DUPLEX COMBINATION
 PUMP CONTROL**

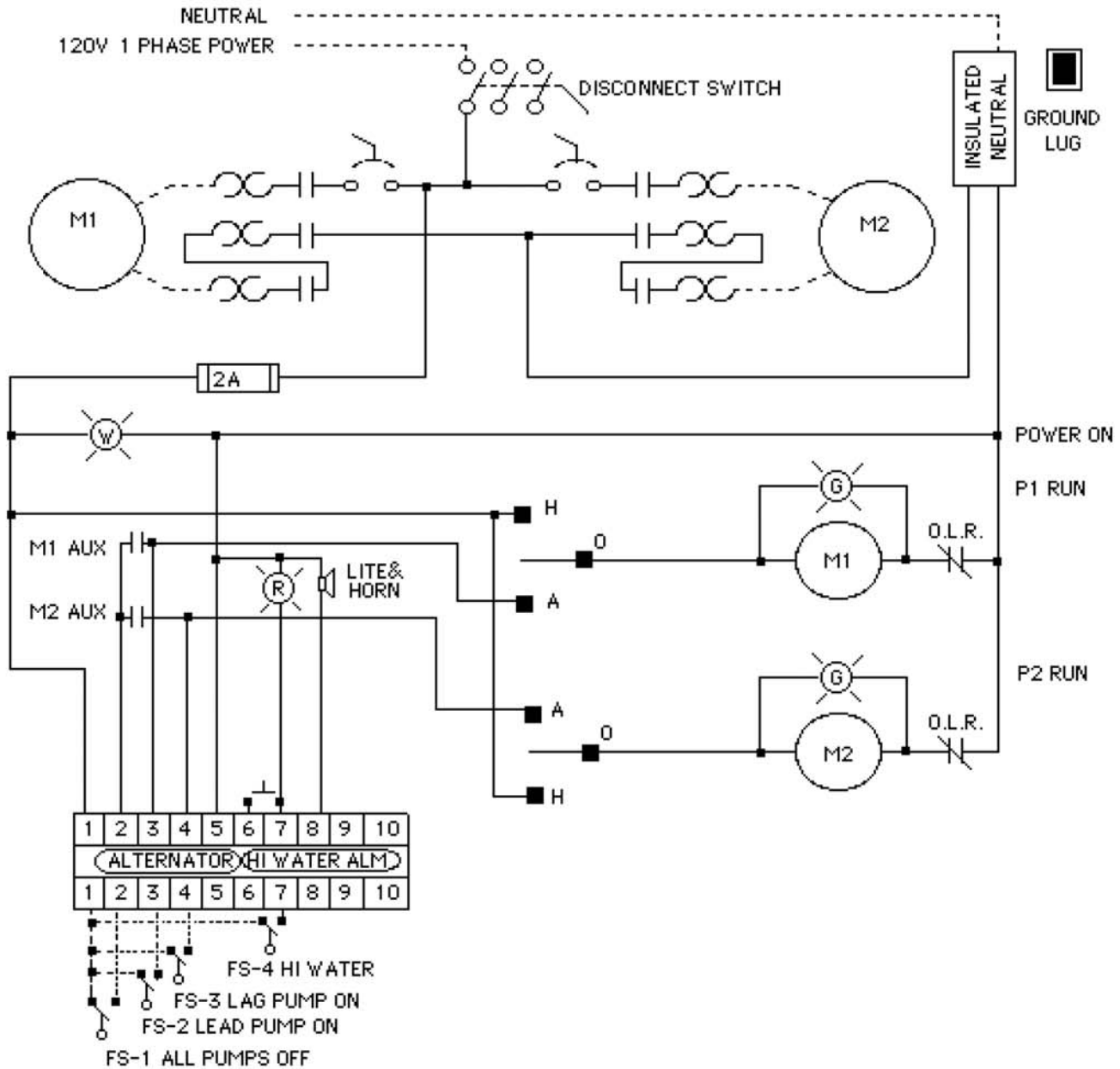
S.C.C.R. 5000A

SUNBELT™
POWER CONTROLS
 1625 Wallace Dr, Ste 110
 Carrollton, Texas 75006
 (972) 620-2950
 info@sunbeltpowercontrols.com
 sunbeltpowercontrols.com

DATE 9/11/07 HP. _____
 DRAWING# S2131HW VOLT. 120
 DRAWN BY RAK PHASE 1
 SERIAL # _____ FLA _____

**NOTE: USE COPPER, 60 C RATED
 WIRE FOR LESS THAN 100A. USE
 COPPER, 75 C RATED WIRE FOR
 100A OR MORE.**

CAUTION:
 AN N.E.C. APPROVED BRANCH
 CIRCUIT PROTECTIVE DEVICE
 MUST BE INSTALLED AHEAD
 OF THIS CONTROL PANEL IN
 ACCORDANCE WITH THE N.E.C.



**NOTE: IF ROD AND BALL THREE FLOAT
 OPERATION IS REQUIRED CONNECT:**
 FS-2 TO TERMS. 1 AND 3
 FS-3 TO TERMS. 1 AND 4
 FS-4 TO TERMS. 1 AND 7