

**S-5  
COMBINATION  
PUMP CONTROL**

S.C.C.R. 5000A

**SUNBELT™  
POWER CONTROLS**  
1625 Wallace Dr, Ste 100  
Carrollton, Texas 75006  
(972) 620-2950  
info@sunbeltpowercontrols.com  
sunbeltpowercontrols.com

DATE 12/12/07

HP. \_\_\_\_\_

DRAWING# S132HWSFHPET

VOLT. \_\_\_\_\_

DRAWN BY RAK

PHASE 3

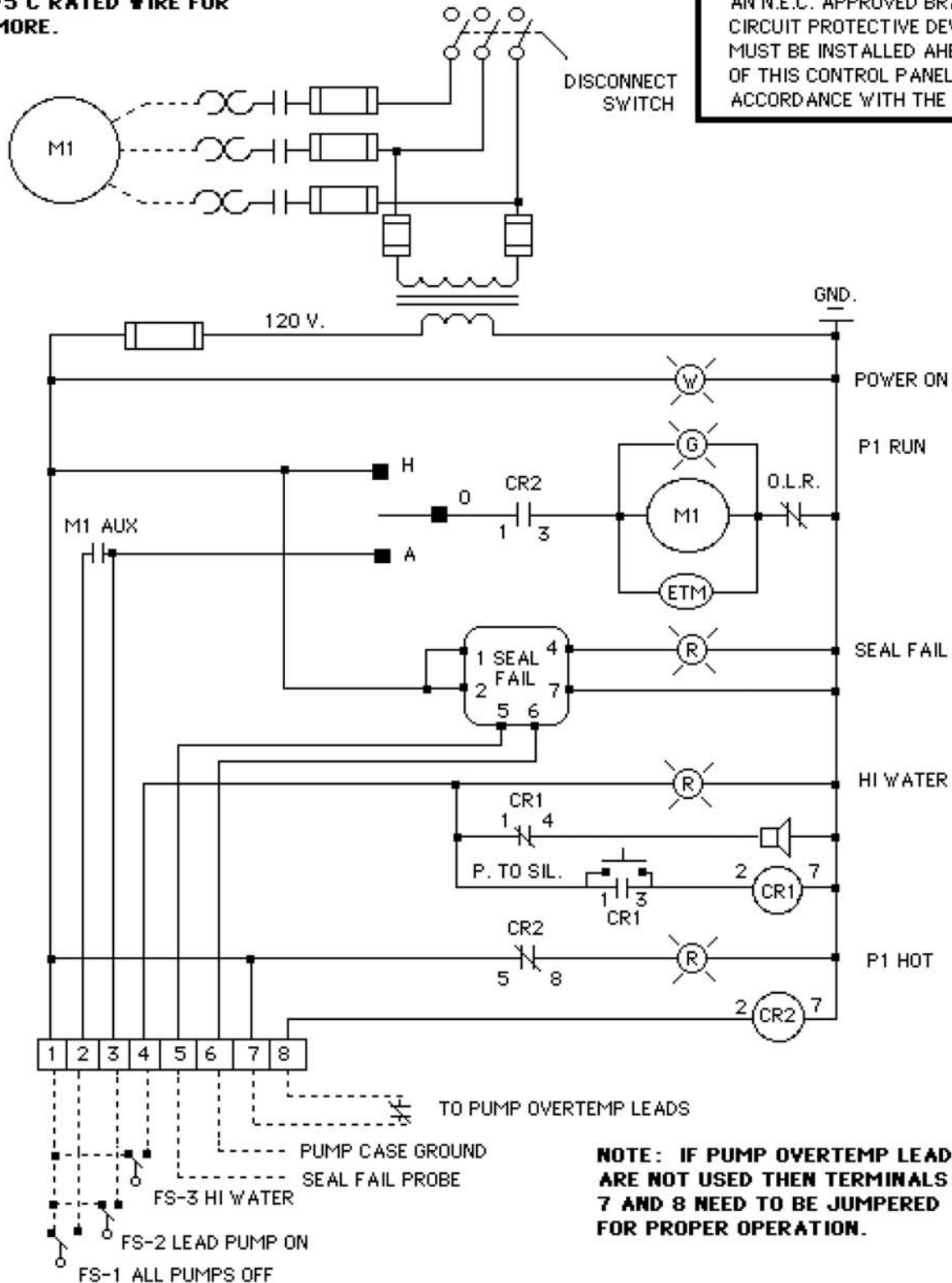
SERIAL # \_\_\_\_\_

FLA \_\_\_\_\_

**NOTE: USE COPPER, 60 C RATED  
WIRE FOR LESS THAN 100A. USE  
COPPER, 75 C RATED WIRE FOR  
100A OR MORE.**

**CAUTION:**

AN N.E.C. APPROVED BRANCH  
CIRCUIT PROTECTIVE DEVICE  
MUST BE INSTALLED AHEAD  
OF THIS CONTROL PANEL IN  
ACCORDANCE WITH THE N.E.C.



**NOTE: IF ROD AND BALL TWO FLOAT OPERATION  
IS REQUIRED CONNECT:  
FS-2 TO TERMS. 1 AND 3  
FS-3 TO TERMS. 1 AND 4**