

# S-5 SIMPLEX

S.C.C.R. 5000A

**SUNBELT**  
**POWER CONTROLS**  
1625 Wallace Dr, Ste 100  
Carrollton, Texas 75006  
(972) 620-2950  
info@sunbeltpowercontrols.com  
sunbeltpowercontrols.com

DATE 4/17/07

HP. \_\_\_\_\_

DRAWING# S132HW

VOLT. \_\_\_\_\_

DRAWN BY RAK

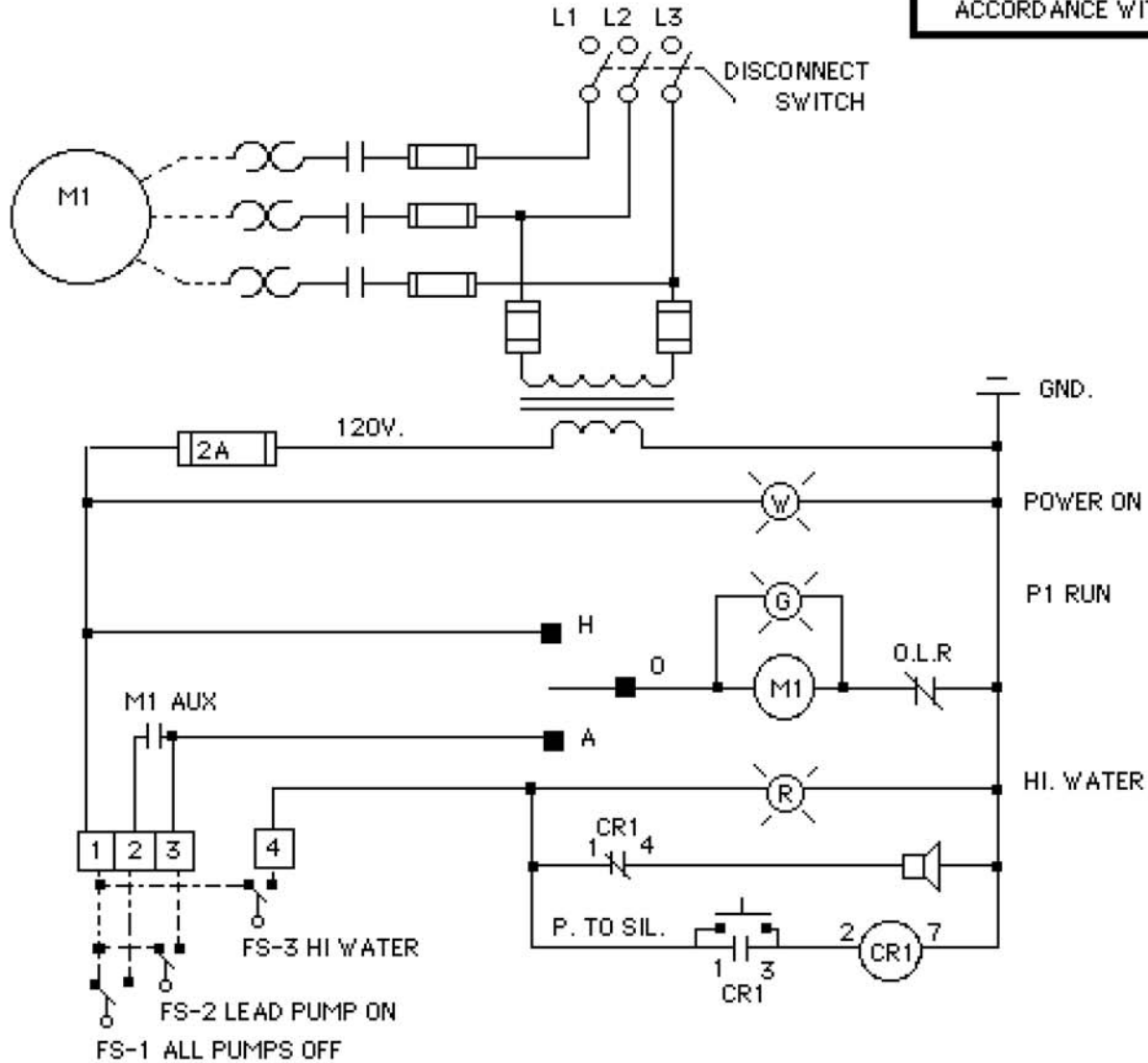
PHASE 3

SERIAL # \_\_\_\_\_

FLA \_\_\_\_\_

**NOTE: USE COPPER, 60 C RATED WIRE FOR LESS THAN 100A. USE COPPER, 75 C RATED WIRE FOR 100A OR MORE.**

**CAUTION:**  
AN N.E.C. APPROVED BRANCH CIRCUIT PROTECTIVE DEVICE MUST BE INSTALLED AHEAD OF THIS CONTROL PANEL IN ACCORDANCE WITH THE N.E.C.



**NOTE: IF TWO FLOAT OPERATION IS REQUIRED CONNECT FS-2 TO TERMS. 1 AND 3  
FS-3 TO TERMS. 1 AND 4**