

**S-5 SIMPLEX**

S.C.C.R 5000A

**SUNBELT™**  
**POWER CONTROLS**  
1625 Wallace Dr, Ste 100  
Carrollton, Texas 75006  
(972) 620-2950  
info@sunbeltpowercontrols.com  
sunbeltpowercontrols.com

DATE 11/6/07

DRAWING # S132

DRAWN BY RAK

SERIAL # \_\_\_\_\_

HP. \_\_\_\_\_

VOLT. \_\_\_\_\_

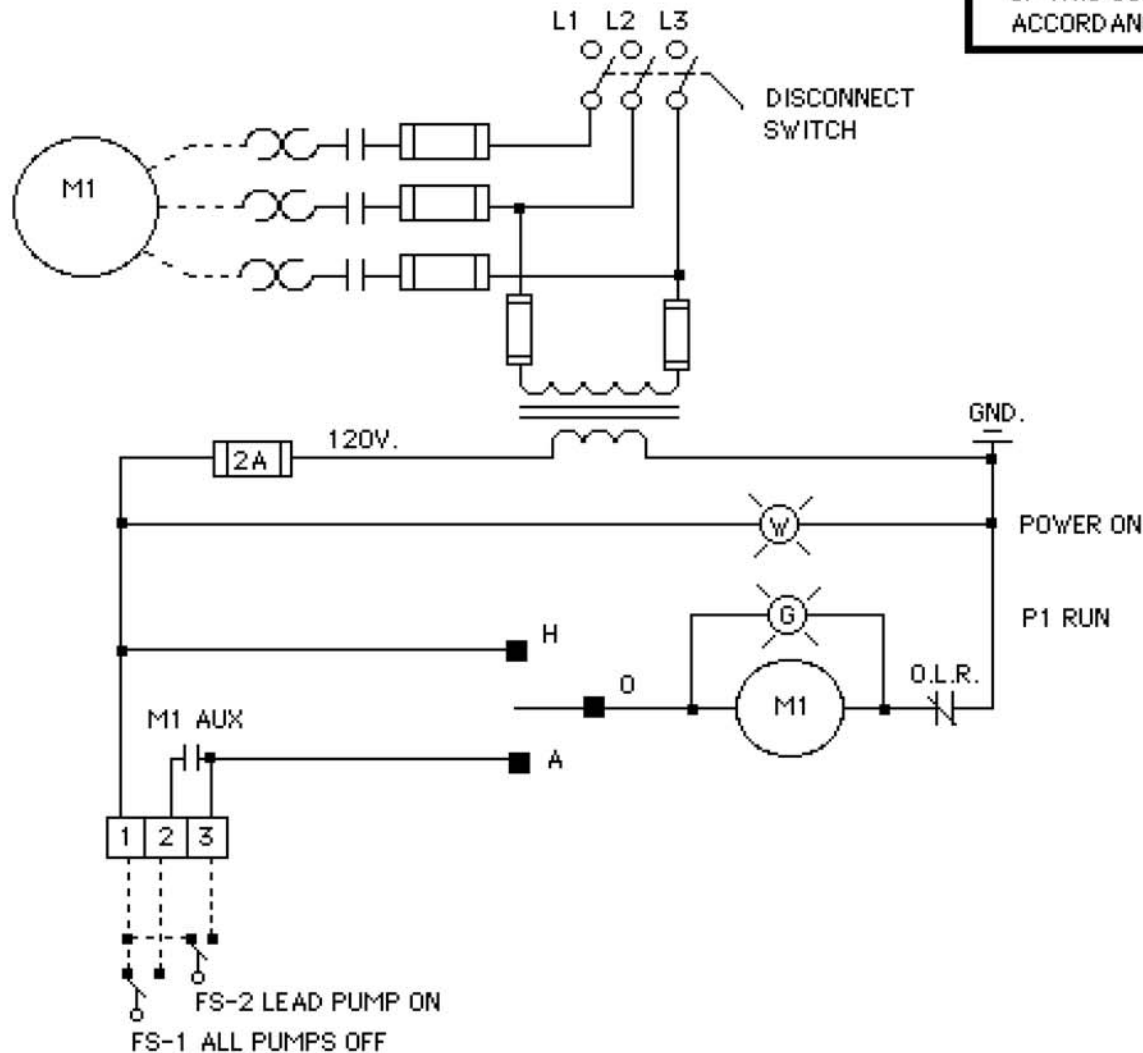
PHASE 3

FLA \_\_\_\_\_

**NOTE: USE COPPER, 60 C RATED WIRE FOR LESS THAN 100A. USE COPPER, 75 C RATED WIRE FOR 100A OR MORE.**

**CAUTION:**

AN N.E.C. APPROVED BRANCH CIRCUIT PROTECTIVE DEVICE MUST BE INSTALLED AHEAD OF THIS CONTROL PANEL IN ACCORDANCE WITH THE N.E.C.



**NOTE: IF ROD AND BALL ONE FLOAT OPERATION IS REQUIRED CONNECT: FS-2 TO TERMS. 1 AND 3**