

**S-5 SIMPLEX**

S.C.C.R. 5000A

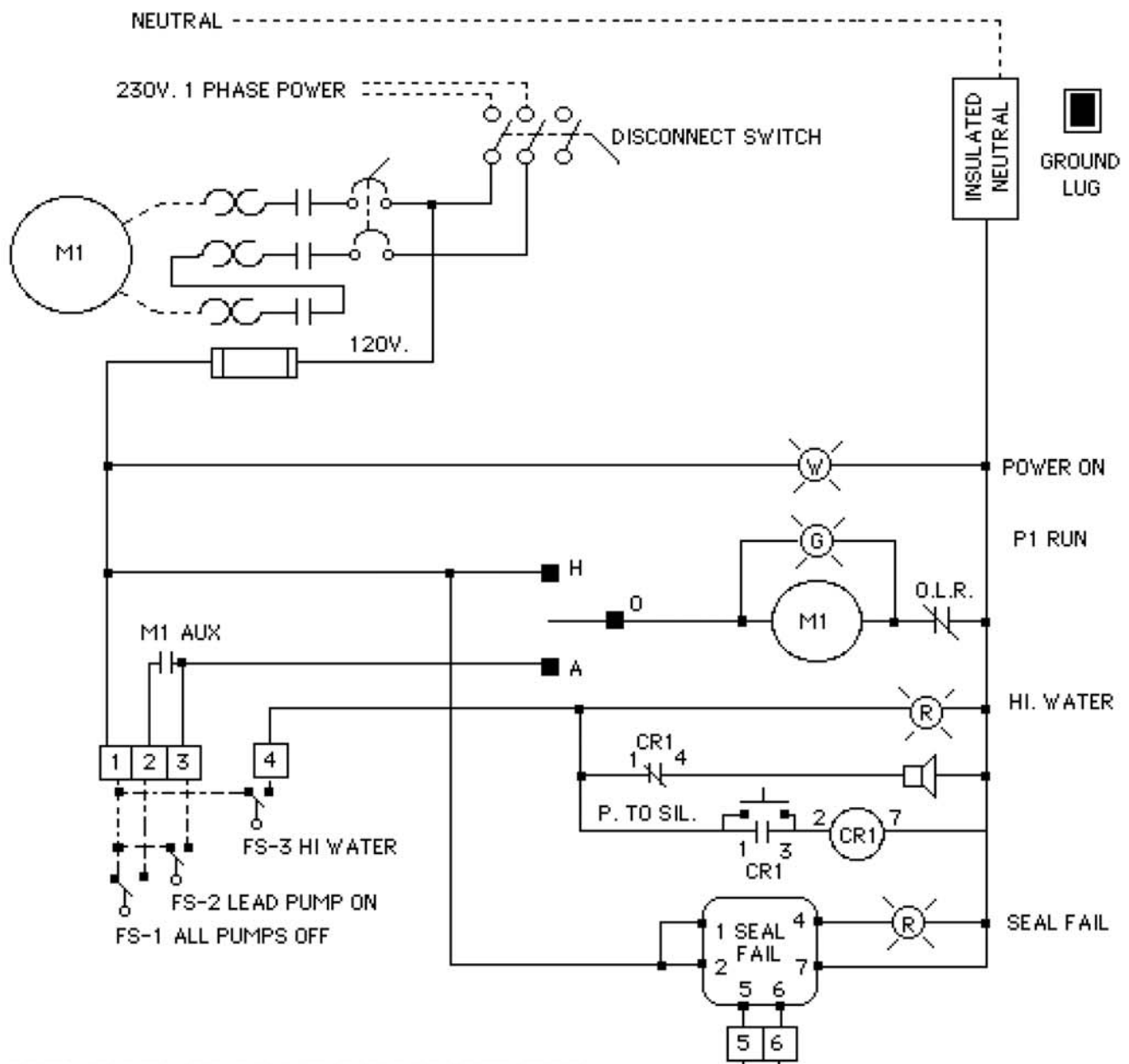
**SUNBELT™**  
**POWER CONTROLS**  
 1625 Wallace Dr, Ste 100  
 Carrollton, Texas 75006  
 (972) 620-2950  
 info@sunbeltpowercontrols.com  
 sunbeltpowercontrols.com

DATE 11/07/07  
 DRAWING # S1132HWSF  
 DRAWN BY RAK  
 SERIAL # \_\_\_\_\_

HP. \_\_\_\_\_  
 VOLT. 230  
 PHASE 1  
 FLA \_\_\_\_\_

**NOTE: USE COPPER, 60 C RATED WIRE FOR LESS THAN 100A. USE COPPER, 75 C RATED WIRE FOR 100A OR MORE.**

**CAUTION:**  
 AN N.E.C. APPROVED BRANCH CIRCUIT PROTECTIVE DEVICE MUST BE INSTALLED AHEAD OF THIS CONTROL PANEL IN ACCORDANCE WITH THE N.E.C.



**NOTE: IF ROD AND BALL TWO FLOAT OPERATION IS REQUIRED CONNECT:**  
 FS-2 TO TERMS. 1 AND 3  
 FS-3 TO TERMS. 1 AND 4

TO SEAL FAIL PROBES