

S-5 SIMPLEX

S.C.C.R. 5000A

SUNBELT™
POWER CONTROLS
1625 Wallace Dr, Ste 100
Carrollton, Texas 75006
(972) 620-2950
info@sunbeltpowercontrols.com
sunbeltpowercontrols.com

DATE 11/7/07

HP. _____

DRAWING# S1132

VOLT. 230

DRAWN BY RAK

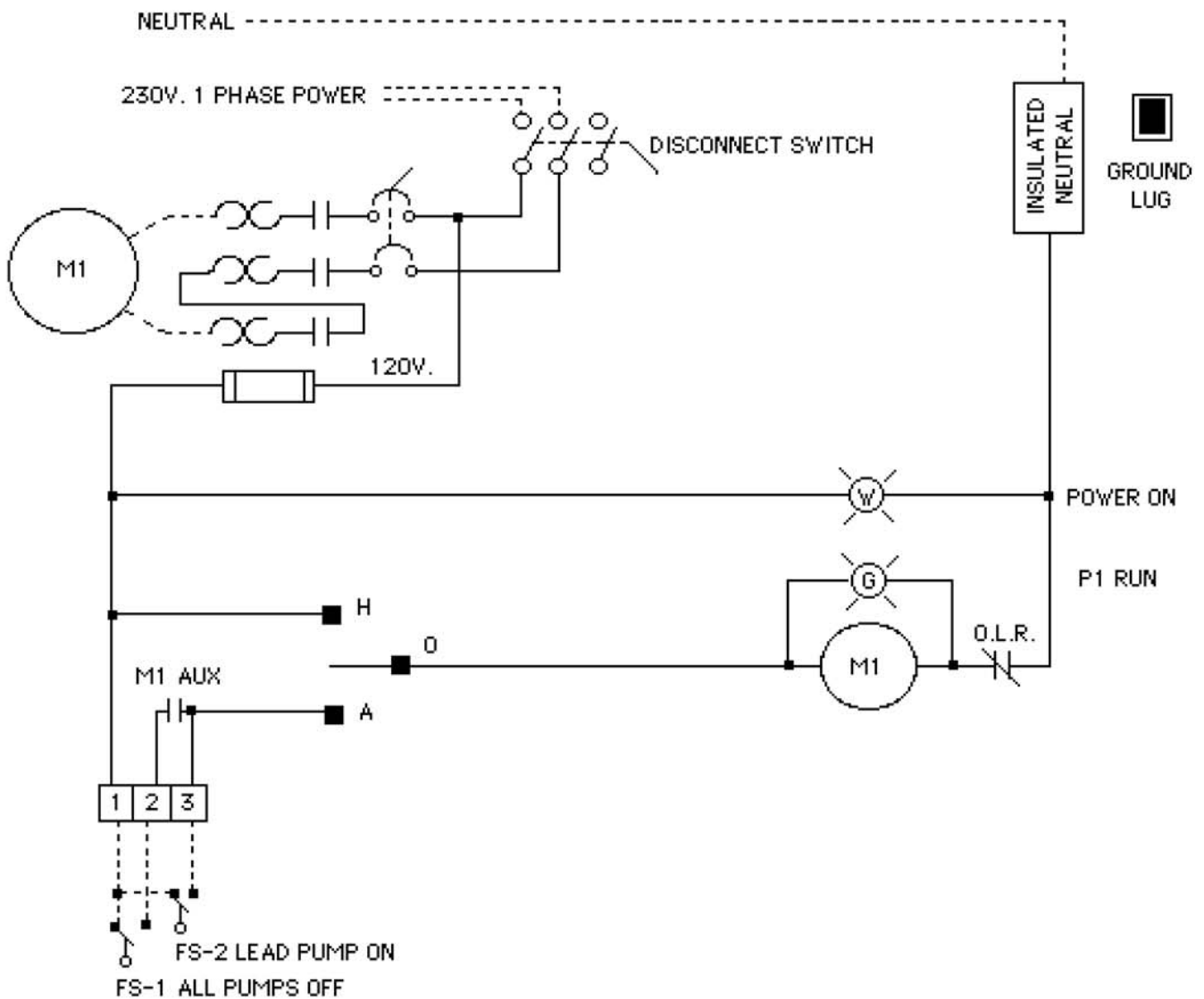
PHASE 1

SERIAL # _____

FLA _____

NOTE: USE COPPER, 60 C RATED WIRE FOR LESS THAN 100A. USE COPPER, 75 C RATED WIRE FOR 100A OR MORE.

CAUTION:
AN N.E.C. APPROVED BRANCH CIRCUIT PROTECTIVE DEVICE MUST BE INSTALLED AHEAD OF THIS CONTROL PANEL IN ACCORDANCE WITH THE N.E.C.



NOTE: IF ROD AND BALL ONE FLOAT OPERATION IS REQUIRED CONNECT: FS-2 TO TERMS. 1 AND 3