

**S-5 SIMPLEX  
PUMP CONTROL  
WITH HIGH WATER ALARM**

**SUNBELT™**  
**POWER CONTROLS**  
1625 Wallace Dr, Ste 110  
Carrollton, Texas 75006  
(972) 620-2950  
info@sunbeltpowercontrols.com  
sunbeltpowercontrols.com

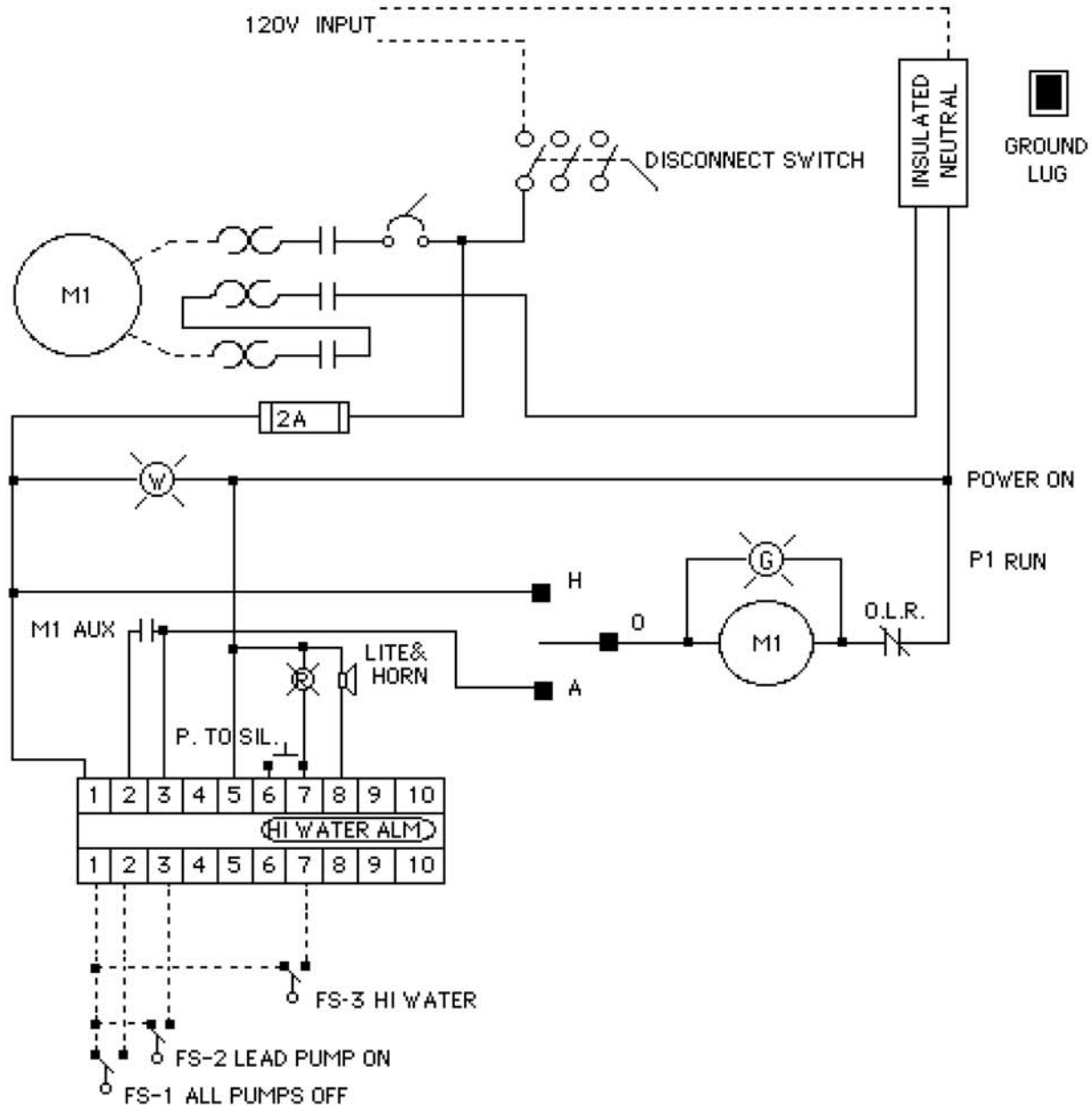
DATE 10/10/07  
DRAWING # S1131HW  
DRAWN BY RAK  
SERIAL # \_\_\_\_\_

HP \_\_\_\_\_  
VOLT 120  
PHASE 1  
FLA \_\_\_\_\_

**NOTE: USE COPPER, 60 C RATED  
WIRE FOR LESS THAN 100A. USE  
COPPER, 75 C RATED WIRE FOR  
100A OR MORE.**

**CAUTION:**

AN N.E.C. APPROVED BRANCH  
CIRCUIT PROTECTIVE DEVICE  
MUST BE INSTALLED AHEAD  
OF THIS CONTROL PANEL IN  
ACCORDANCE WITH THE N.E.C.



**NOTE: IF ROD AND BALL TWO FLOAT OPERATION  
IS REQUIRED CONNECT:  
FS-2 TO TERMS. 1 AND 3  
FS-3 TO TERMS. 1 AND 7**