

**S- 5
COMBINATION
PUMP CONTROL**

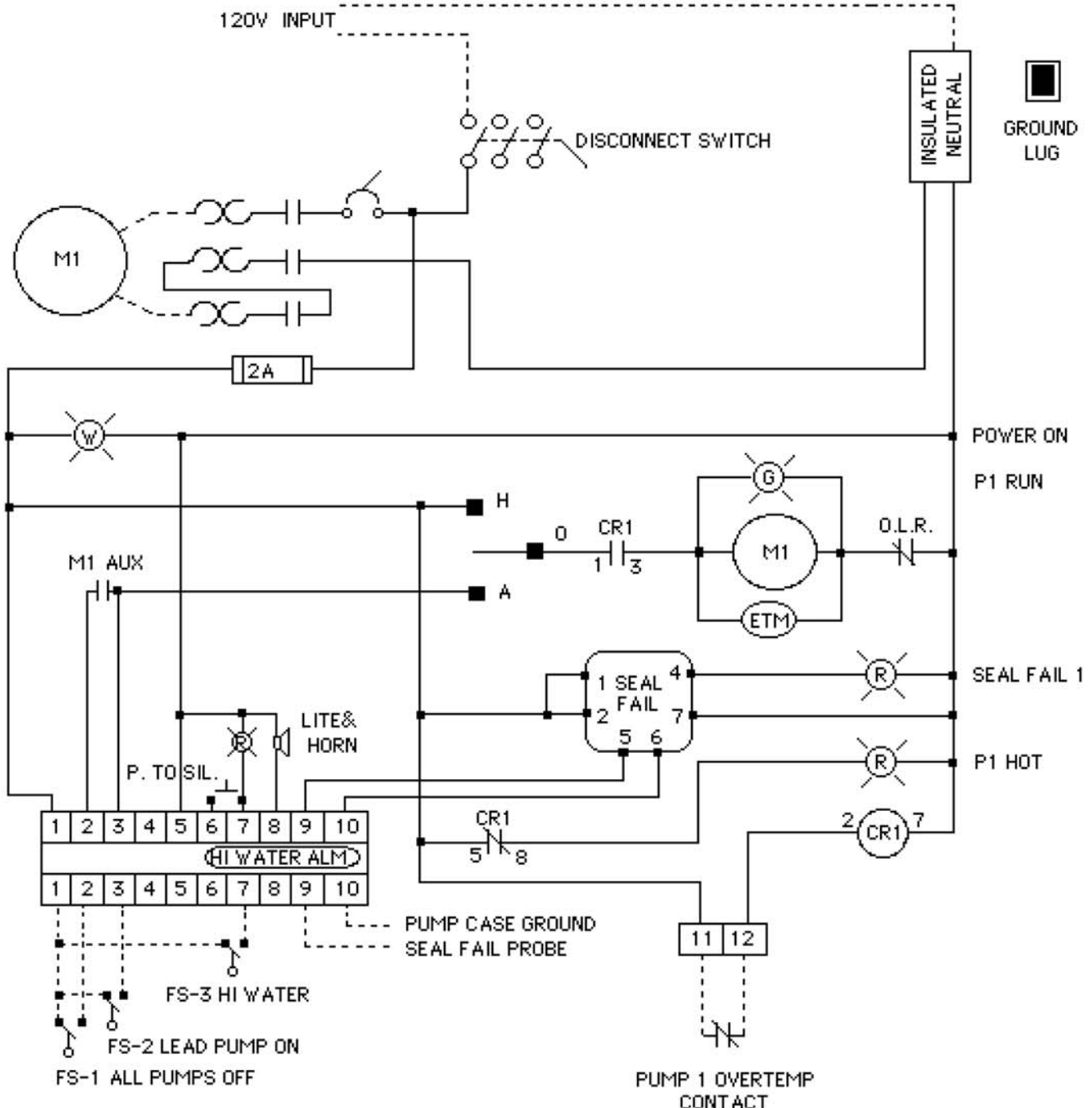
S.C.C.R. 5000A

**SUNBELT™
POWER CONTROLS**
1625 Wallace Dr, Ste 110
Carrollton, Texas 75006
(972) 620-2950
info@sunbeltpowercontrols.com
sunbeltpowercontrols.com

DATE 10/10/07 HP. _____
DRAWING # S1131HW/SFHPET VOLT. 120
DRAWN BY RAK PHASE 1
SERIAL # _____ FLA _____

**NOTE: USE COPPER, 60 C RATED
WIRE FOR LESS THAN 100A. USE
COPPER, 75 C RATED WIRE FOR
100A OR MORE.**

CAUTION:
AN N.E.C. APPROVED BRANCH
CIRCUIT PROTECTIVE DEVICE
MUST BE INSTALLED AHEAD
OF THIS CONTROL PANEL IN
ACCORDANCE WITH THE N.E.C.



**NOTE: IF ROD AND BALL TWO FLOAT OPERATION
IS REQUIRED CONNECT:
FS-2 TO TERMS. 1 AND 3
FS-3 TO TERMS. 1 AND 7**

**NOTE: IF PUMP OVERTEMP
LEADS ARE NOT USED THEN
TERMINALS 11, 12 NEED TO
BE JUMPERED FOR PROPER
OPERATION.**