

**S- 5
COMBINATION
PUMP CONTROL**

S.C.C.R. 5000A

**SUNBELT™
POWER CONTROLS**
1625 Wallace Dr, Ste 110
Carrollton, Texas 75006
(972) 620-2950
info@sunbeltpowercontrols.com
sunbeltpowercontrols.com

DATE 10/11/07

DRAWING # S1131HWSF

DRAWN BY RAK

SERIAL # _____

HP. _____

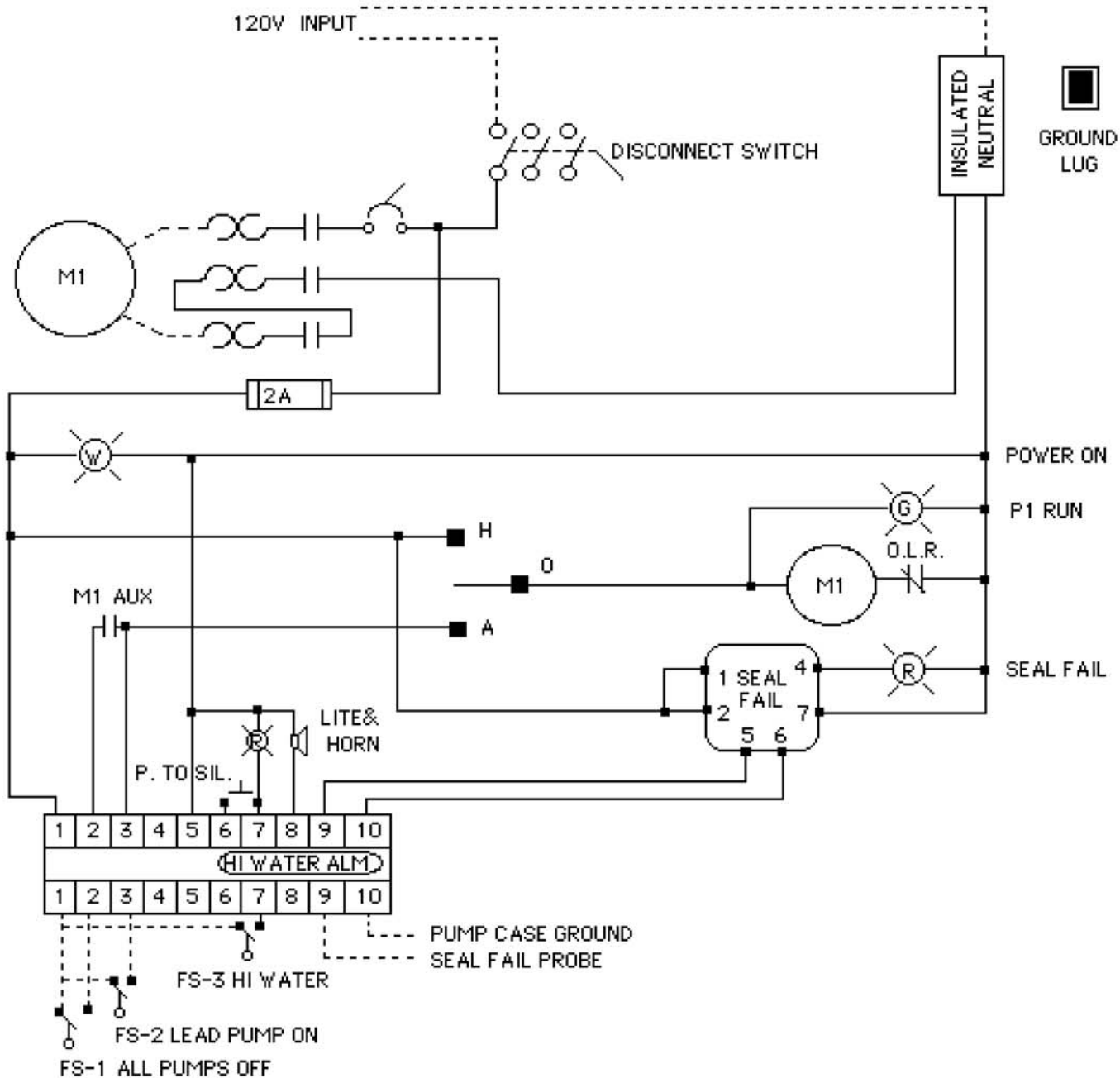
VOLT. 120

PHASE 1

FLA _____

**NOTE: USE COPPER, 60 C RATED
WIRE FOR LESS THAN 100A. USE
COPPER, 75 C RATED WIRE FOR
100A OR MORE.**

CAUTION:
AN N.E.C. APPROVED BRANCH
CIRCUIT PROTECTIVE DEVICE
MUST BE INSTALLED AHEAD
OF THIS CONTROL PANEL IN
ACCORDANCE WITH THE N.E.C.



**NOTE: IF ROD AND BALL TWO FLOAT OPERATION
IS REQUIRED CONNECT:
FS-2 TO TERMS. 1 AND 3
FS-3 TO TERMS. 1 AND 7**