

S-5 SIMPLEX

S.C.C.R. 5000A

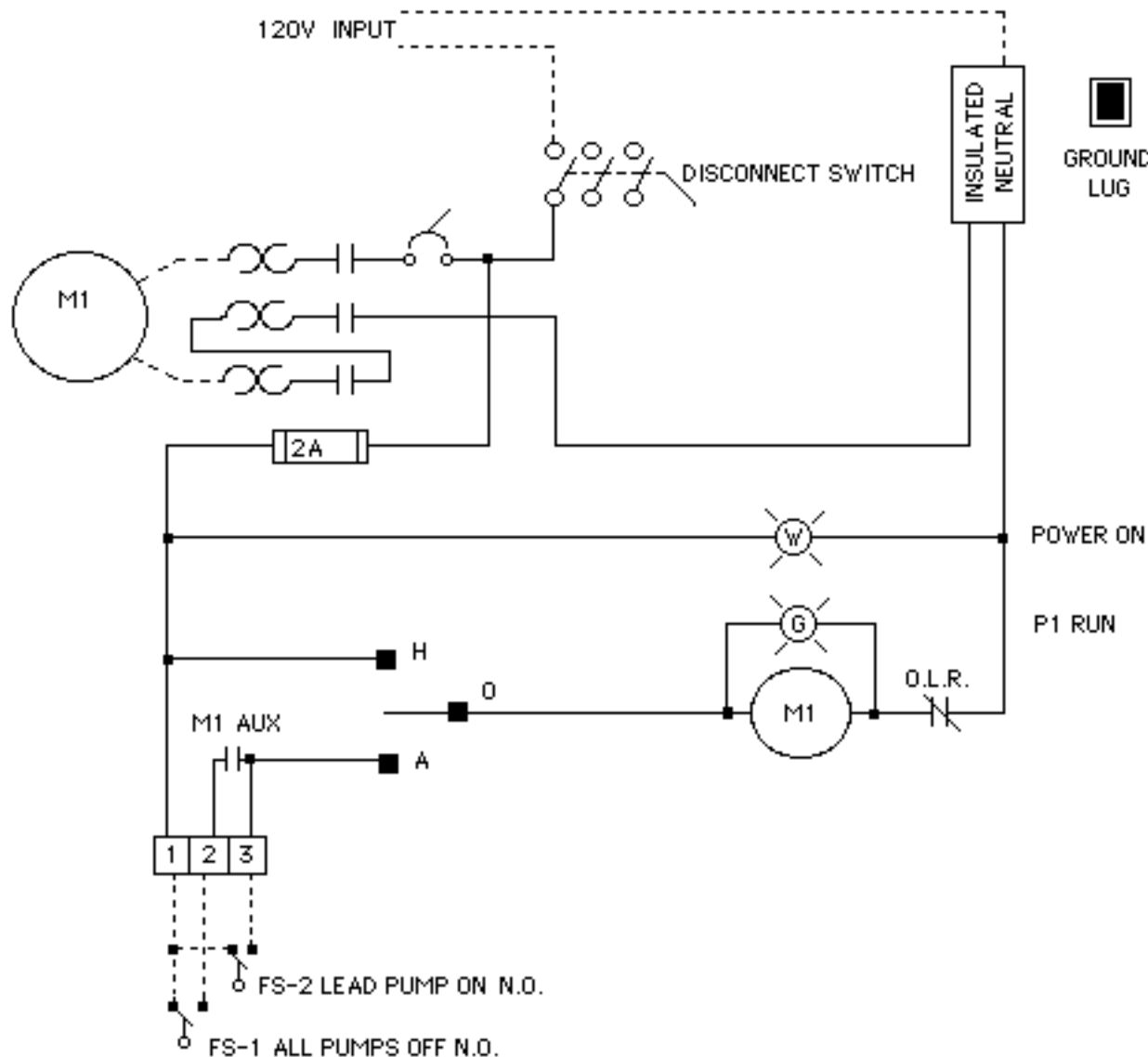
SUNBELT™
POWER CONTROLS
1625 Wallace Dr, Ste 110
Carrollton, Texas 75006
(972) 620-2950
info@sunbeltpowercontrols.com
sunbeltpowercontrols.com

DATE 10/10/07
DRAWING # S1131
DRAWN BY RAK
SERIAL # _____

HP. _____
VOLT. 120
PHASE 1
FLA _____

NOTE: USE COPPER, 60 C RATED WIRE FOR LESS THAN 100A. USE COPPER, 75 C RATED WIRE FOR 100A OR MORE.

CAUTION:
AN N.E.C. APPROVED BRANCH CIRCUIT PROTECTIVE DEVICE MUST BE INSTALLED AHEAD OF THIS CONTROL PANEL IN ACCORDANCE WITH THE N.E.C.



NOTE: IF ROD AND BALL ONE FLOAT OPERATION IS REQUIRED CONNECT: FS-2 TO TERMS. 1 AND 3